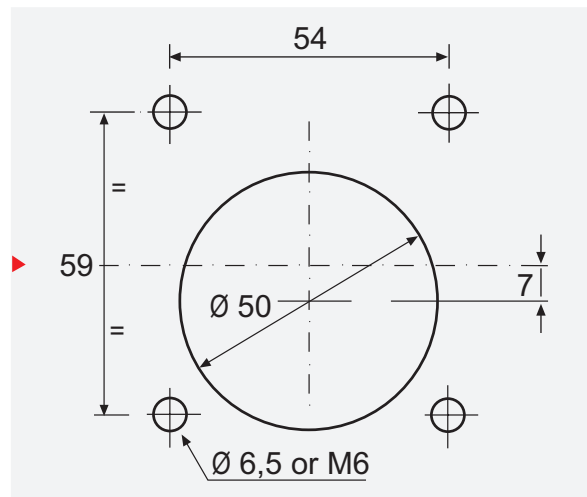


FLGV

Inclined flange for side applications

- ▶ Made of aluminium, supplied complete with washers and screws for receiving the different types of filling, filling with breather, breather filling and level dipsticks, etc. see pages 20, 32 and 48.
- ▶ For a rapid and economic application till a maximum thickness of 6 mm, it is advisable to conform to the boring jig indicated below.



TYPE	CODE
FLGV5G	1YFL0003

[PRINTING NOTES](#)
[PRINT](#)